



COOKER HOOD

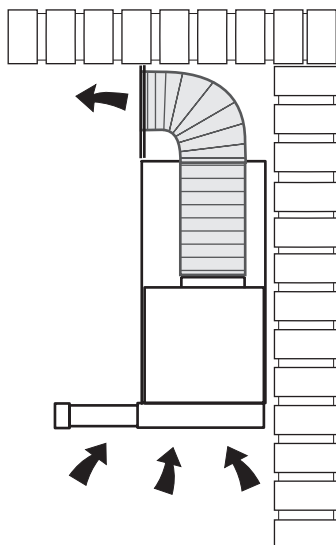
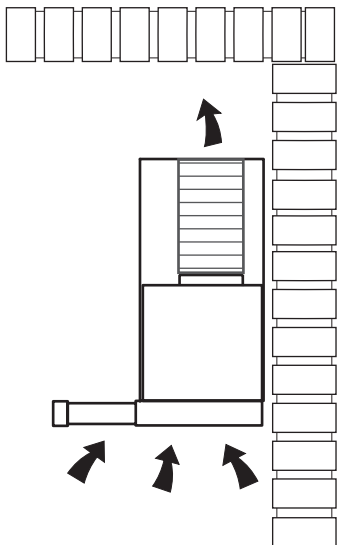
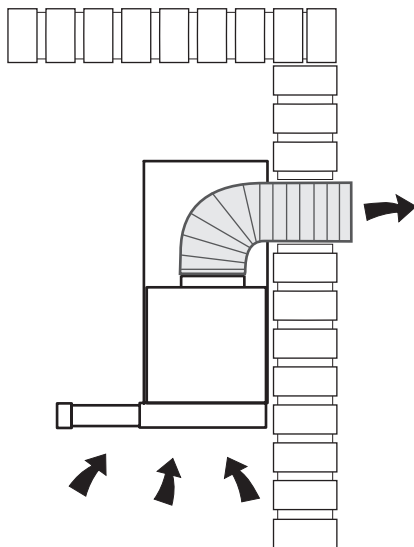
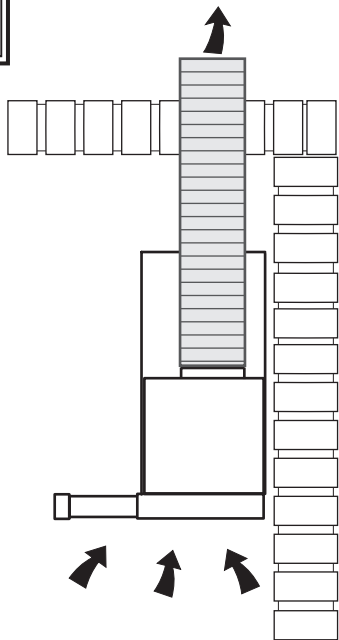
ES

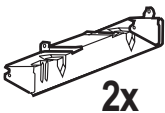
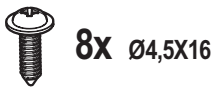
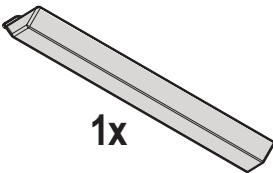
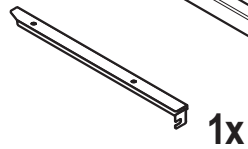
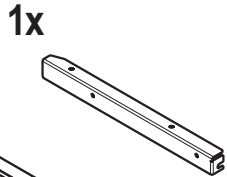
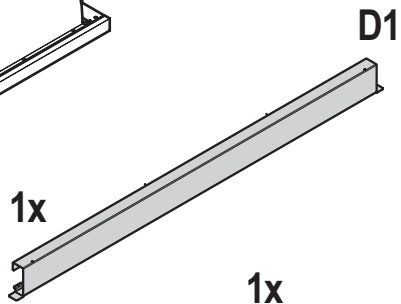
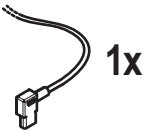
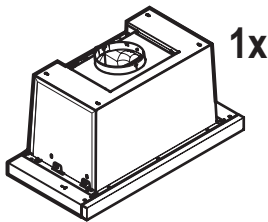
OPERATION / INSTALLATION MANUAL

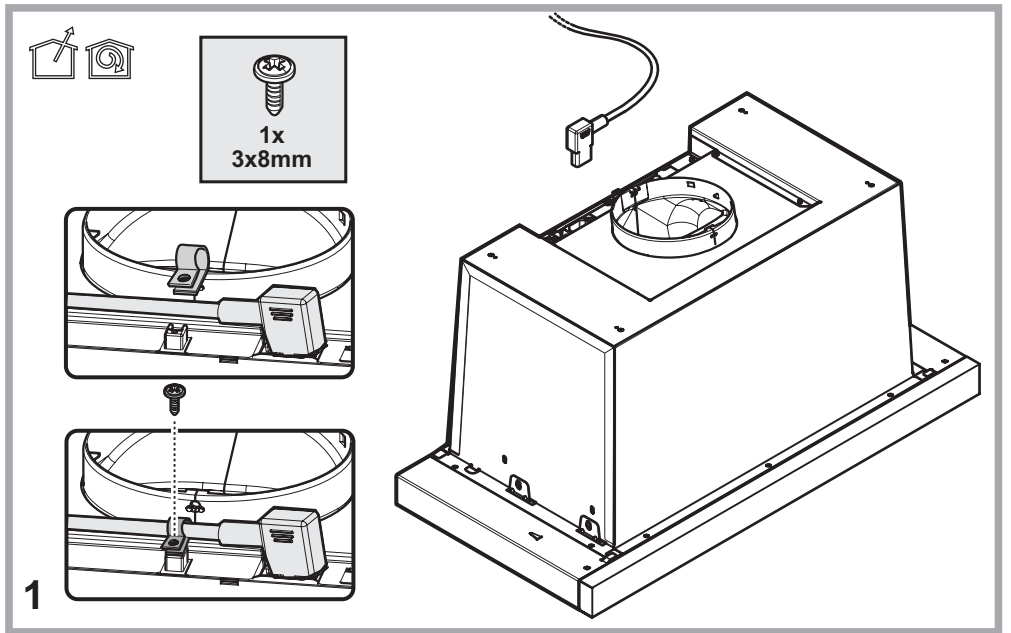
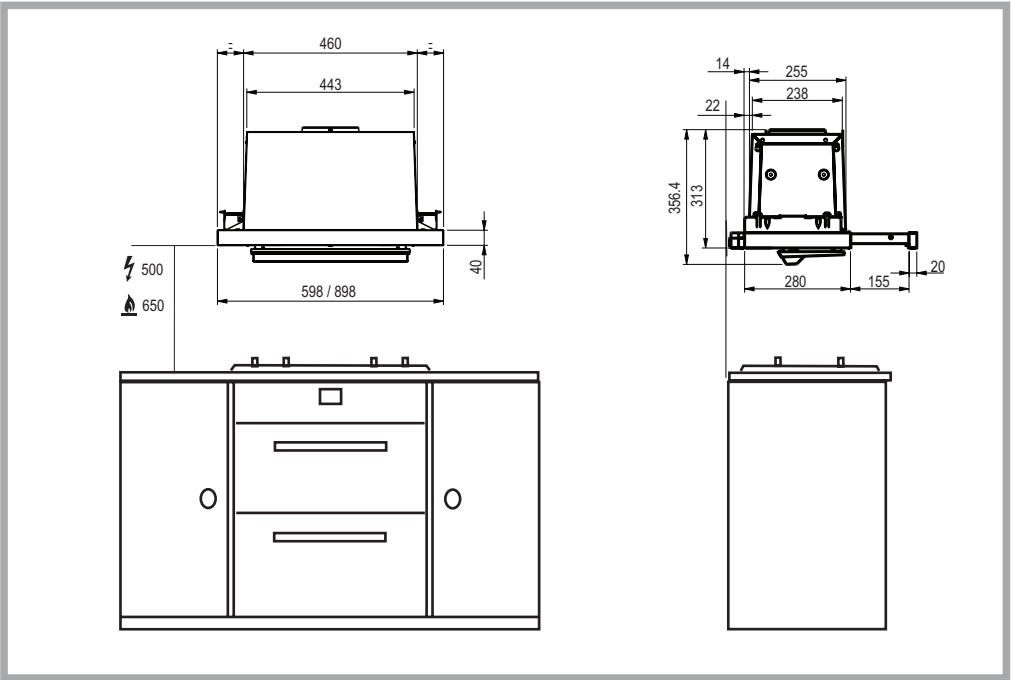
使用说明书

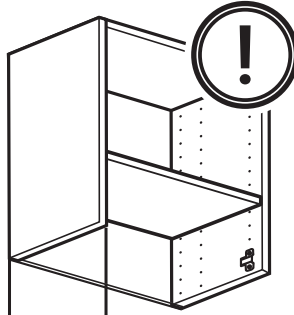
Please read this manual carefully
before using this appliance.

使用前请仔细阅读说明书

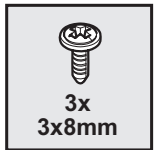
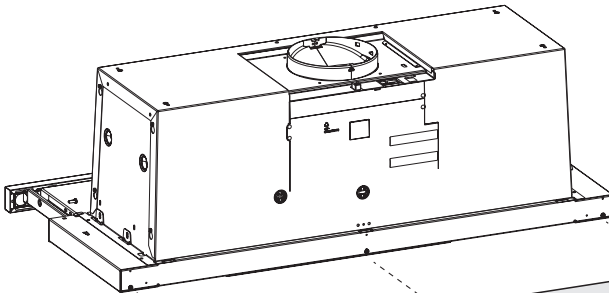




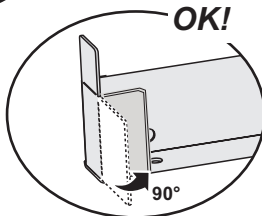
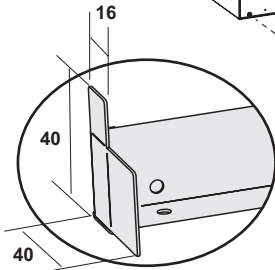




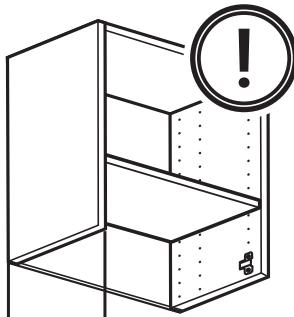
300 mm



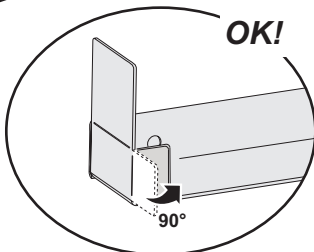
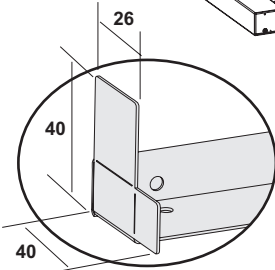
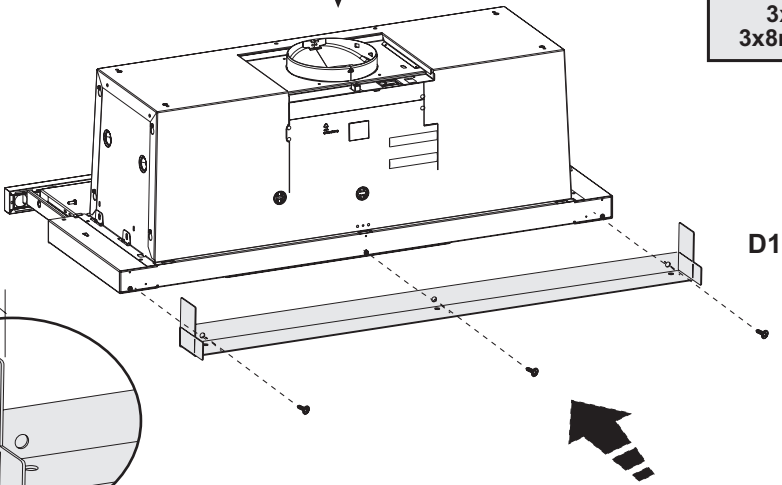
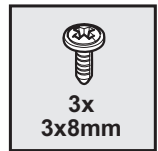
D1



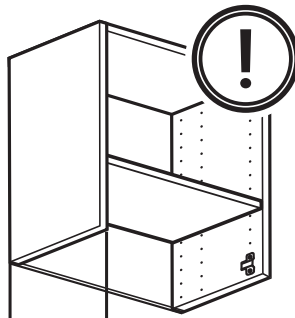
2a



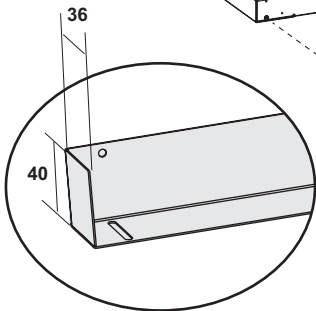
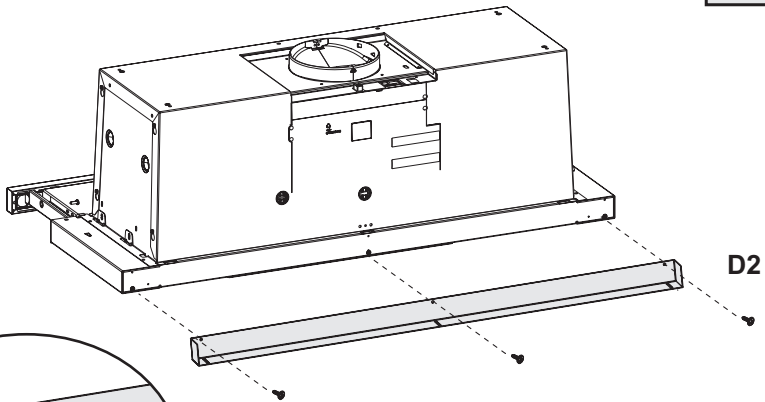
310 mm

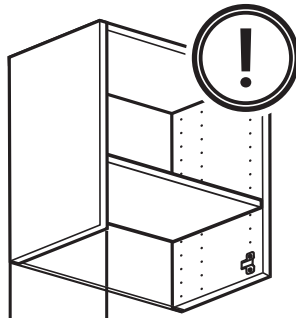


2b

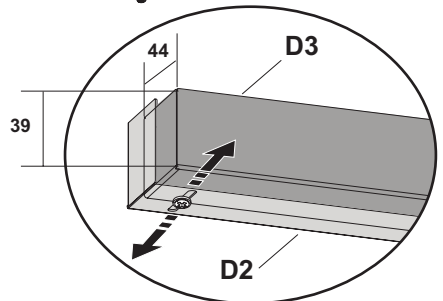
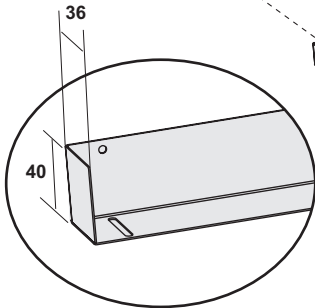
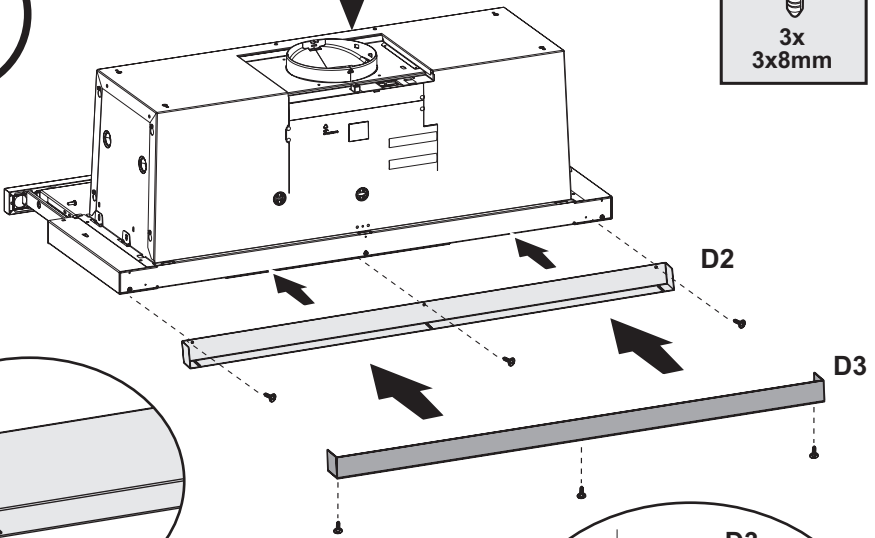


320 mm

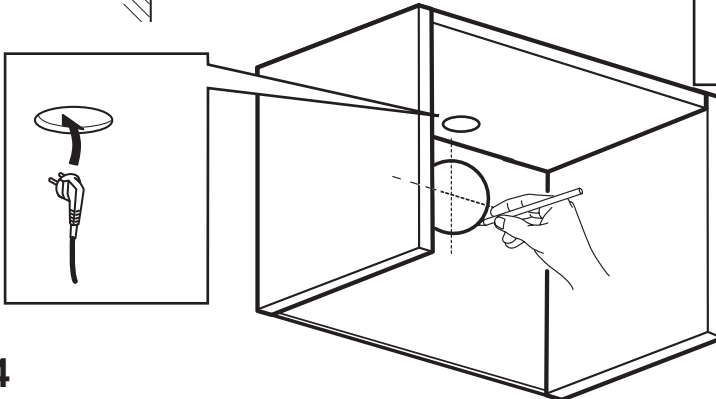
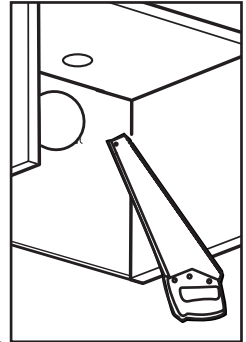
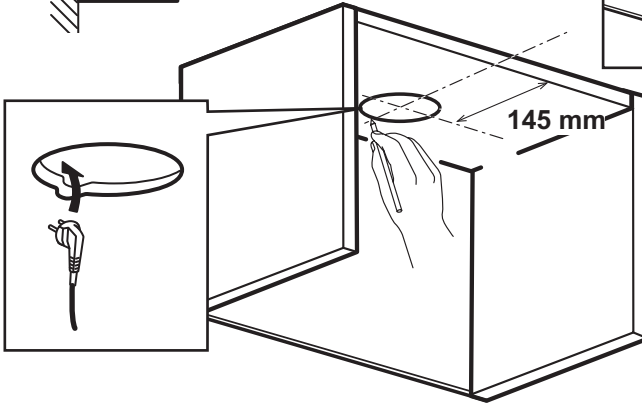
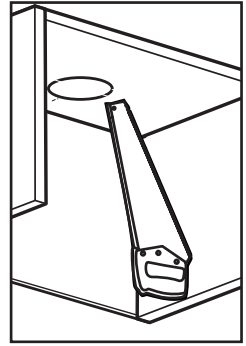
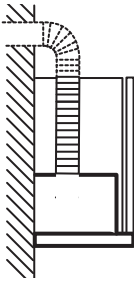


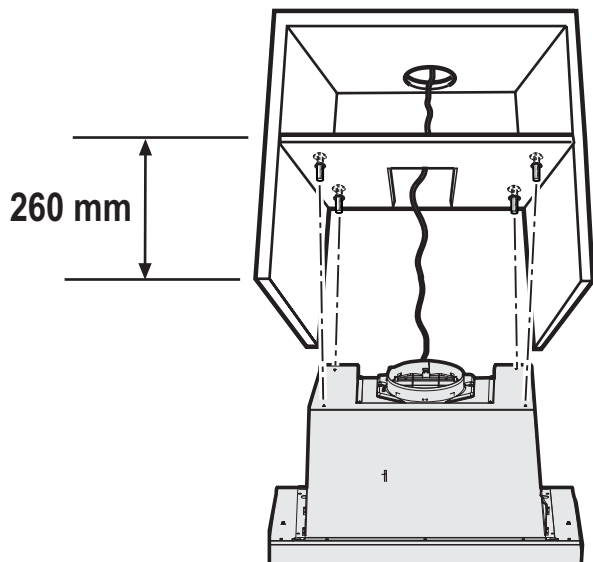
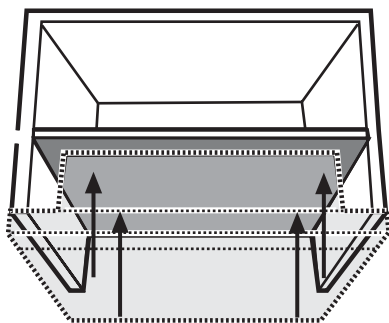
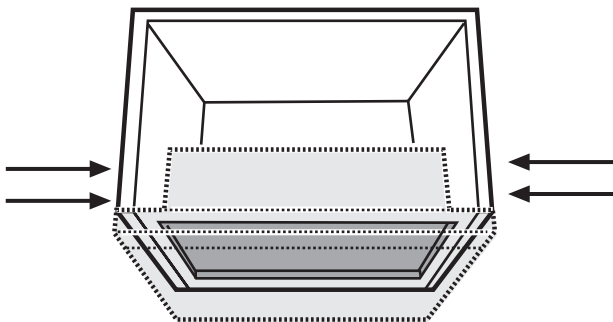


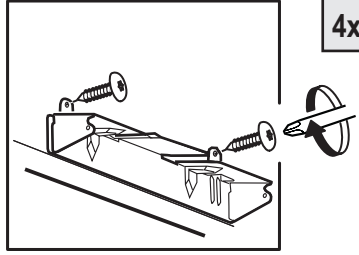
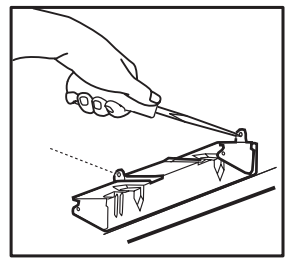
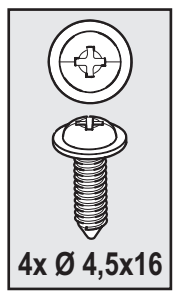
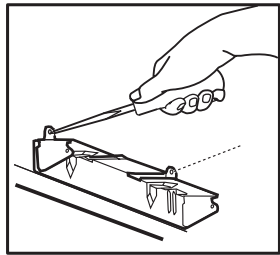
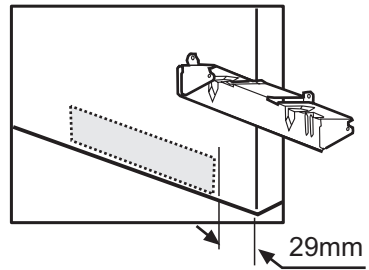
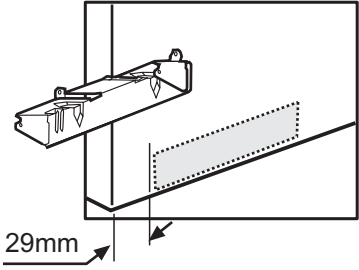
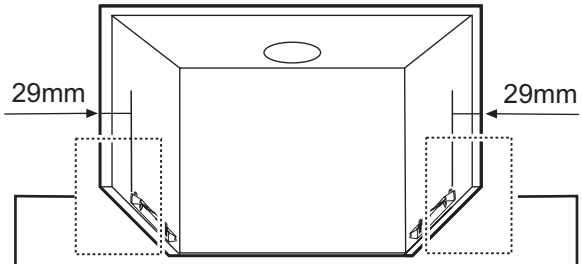
330-350 mm



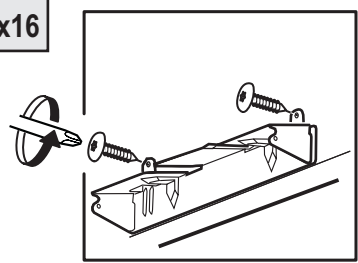
2d

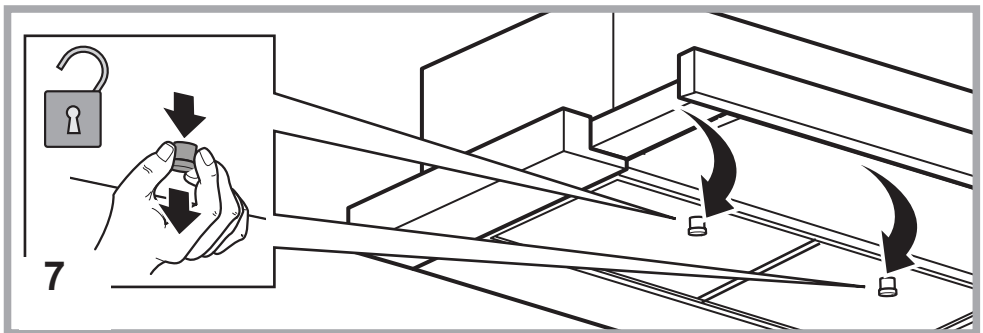
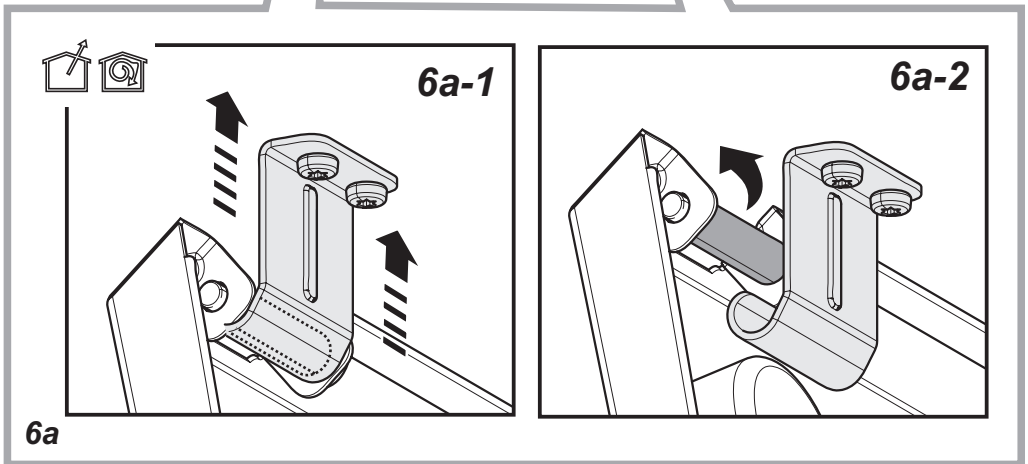
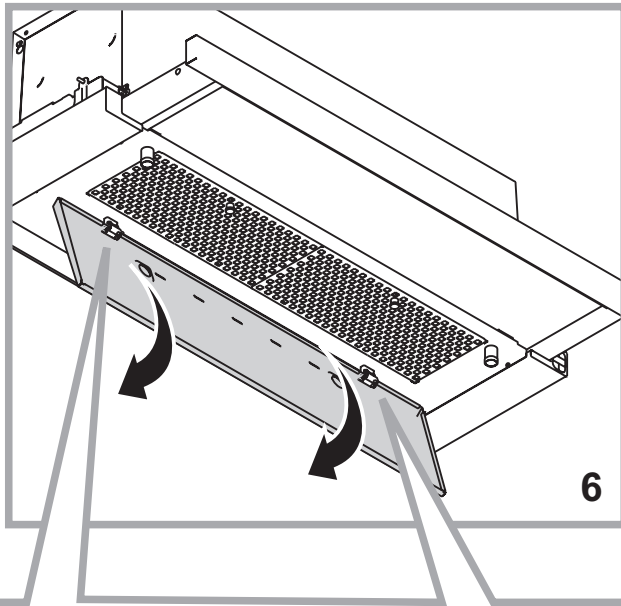


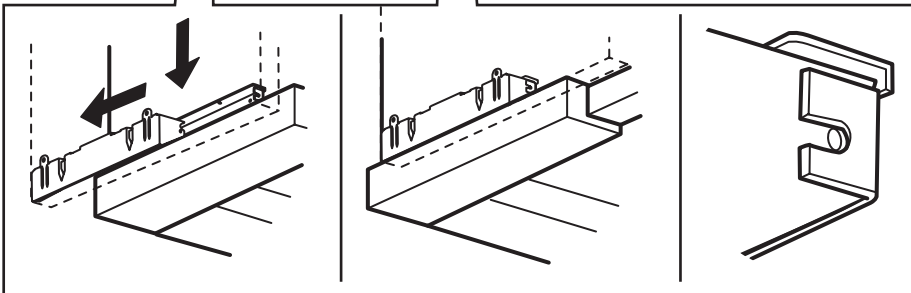
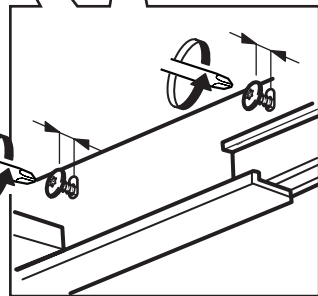
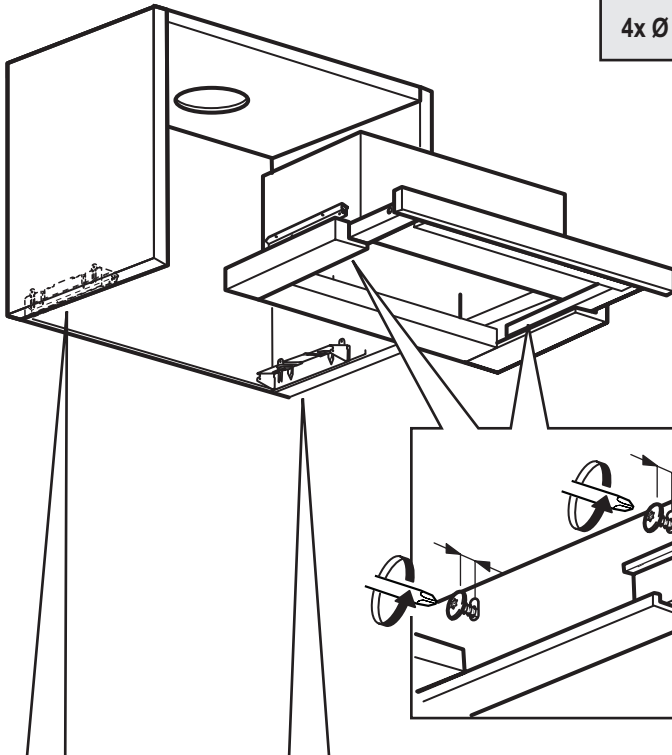
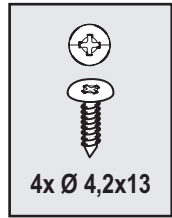
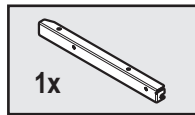
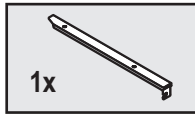


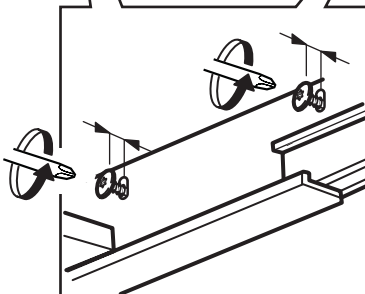
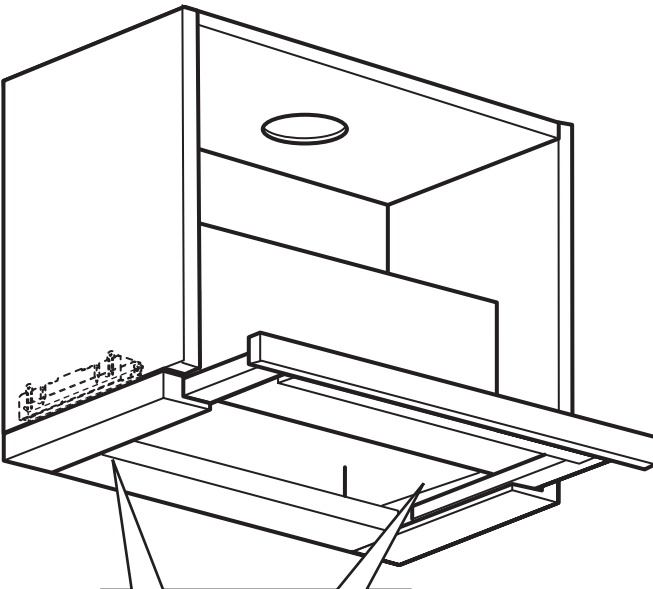
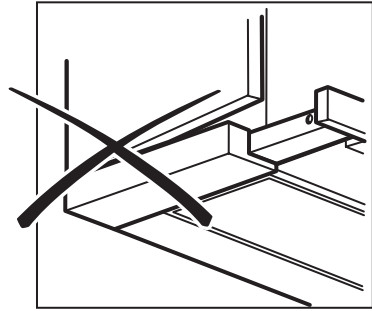
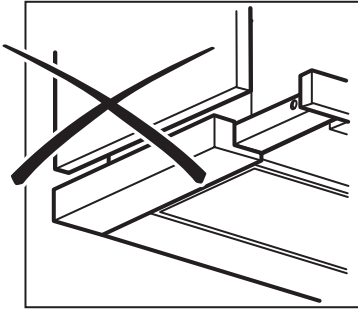


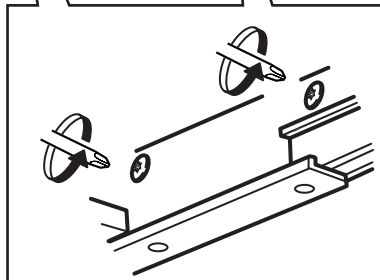
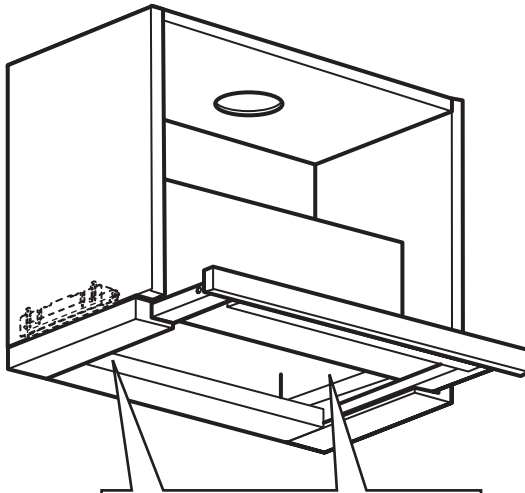
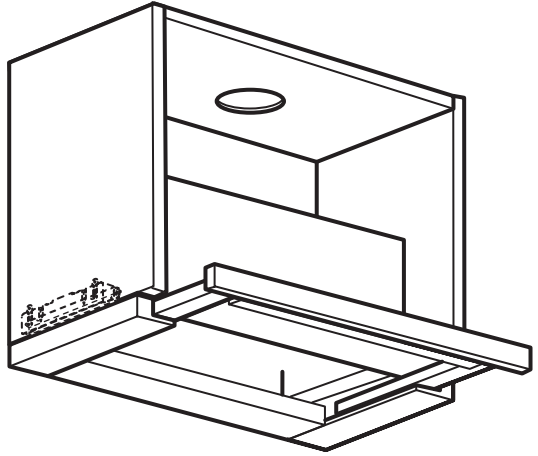
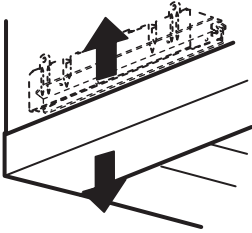
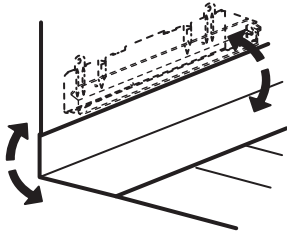
5

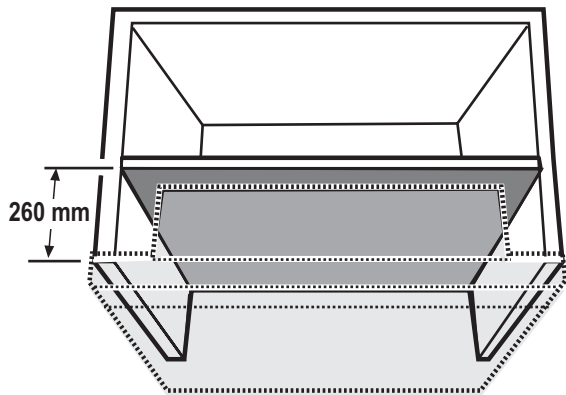


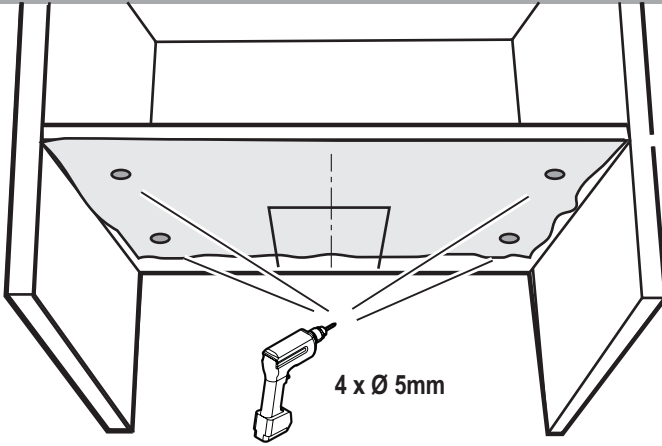




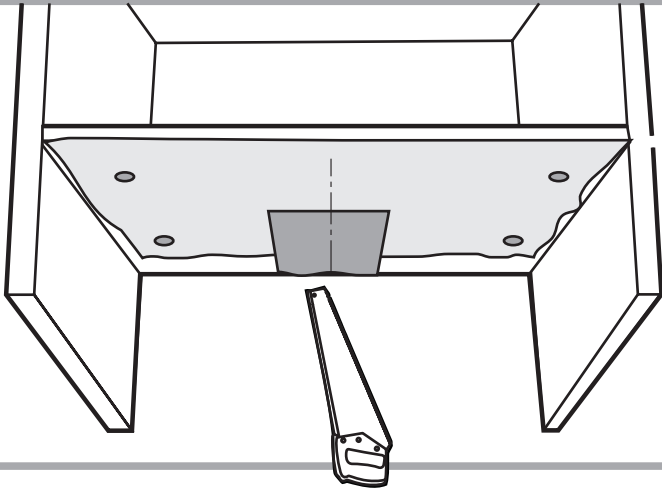




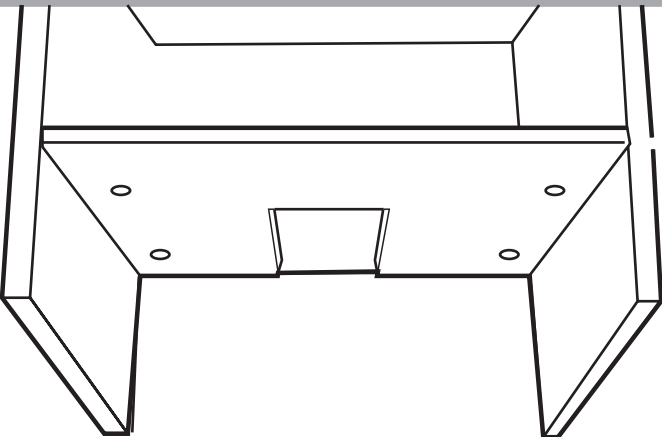




11



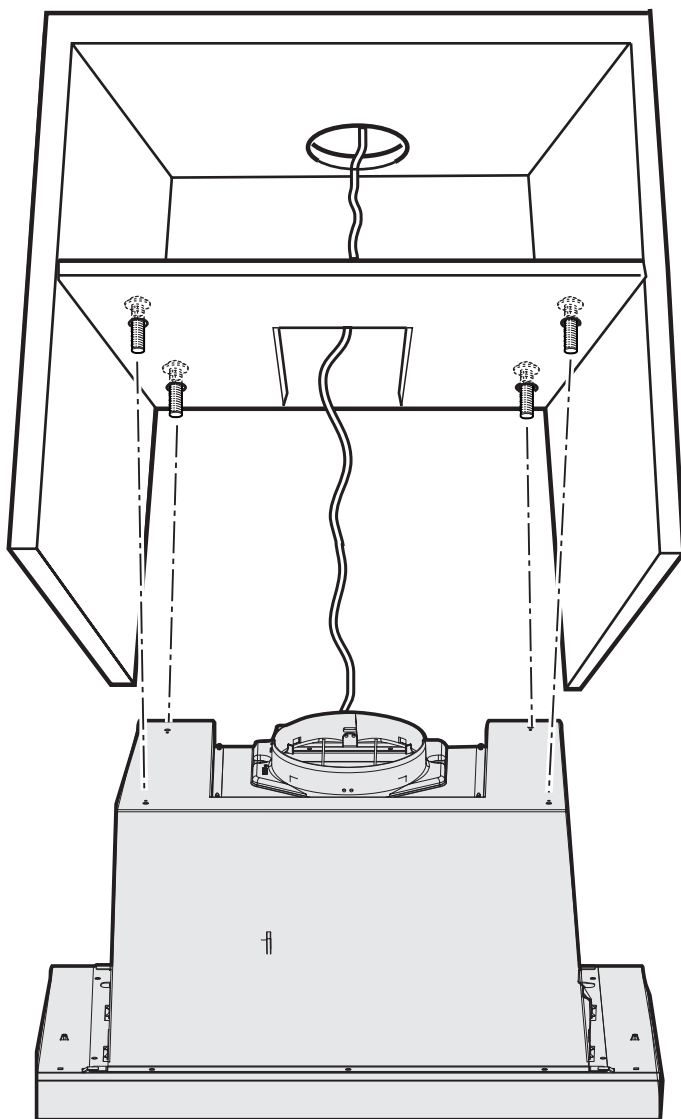
12

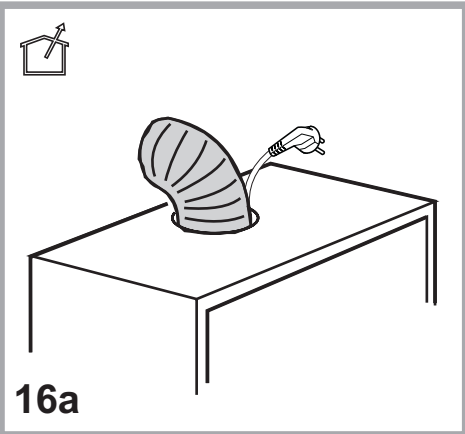
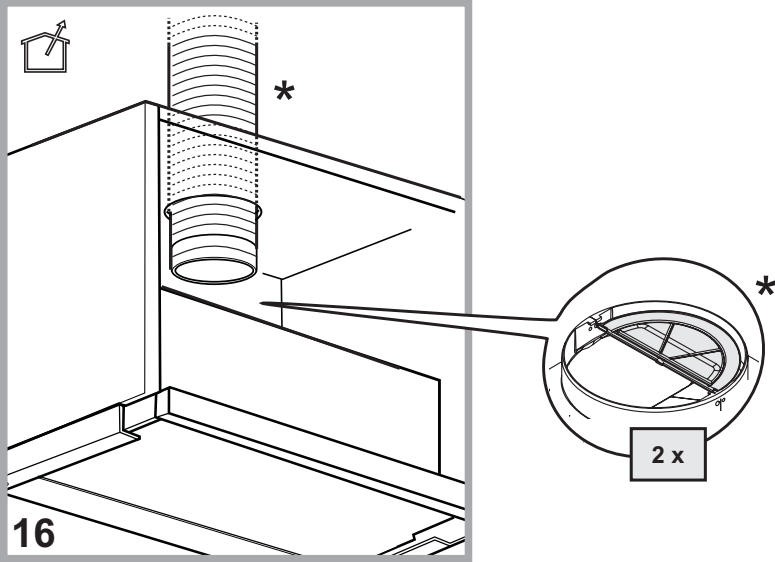
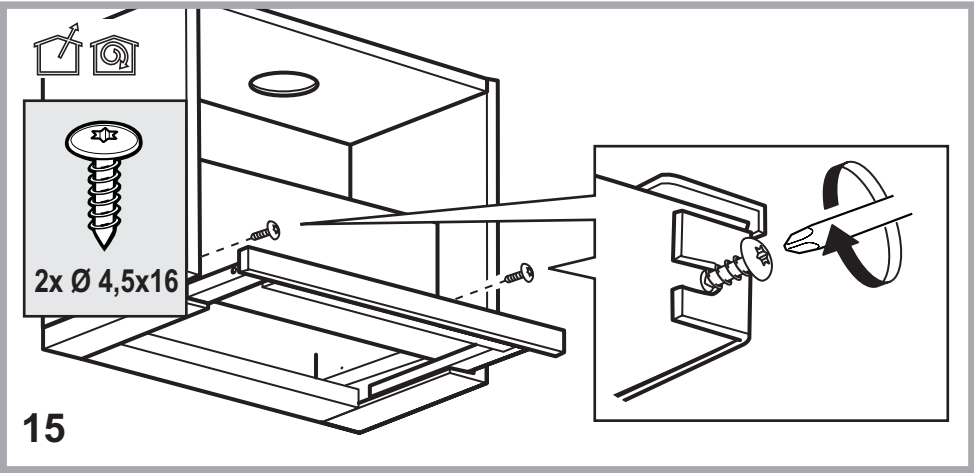


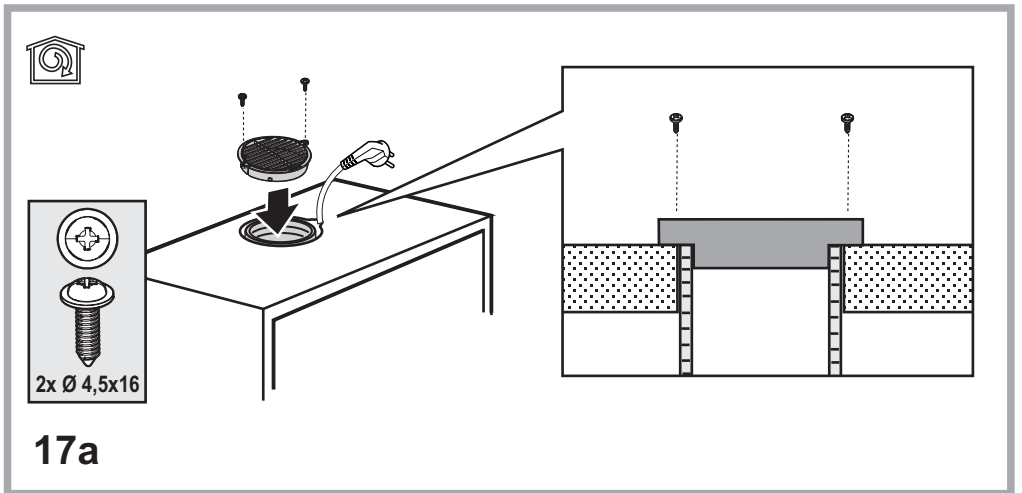
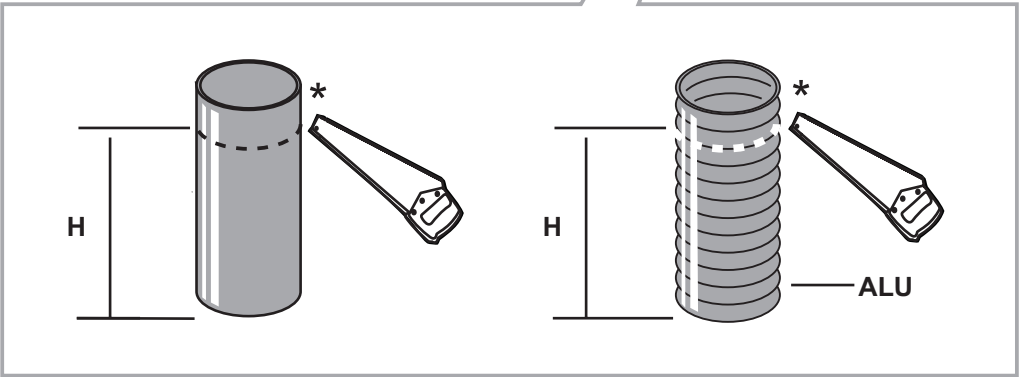
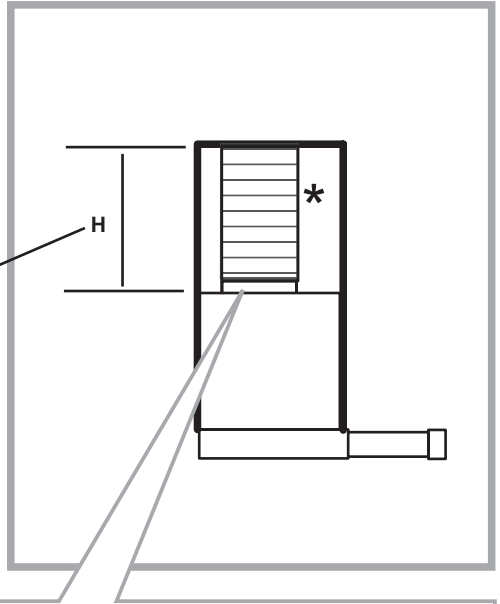
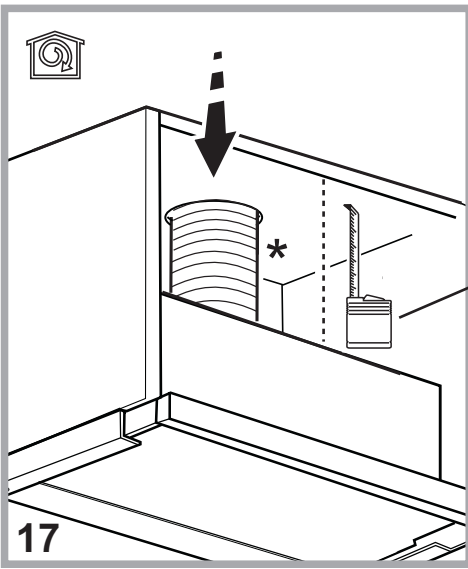
13

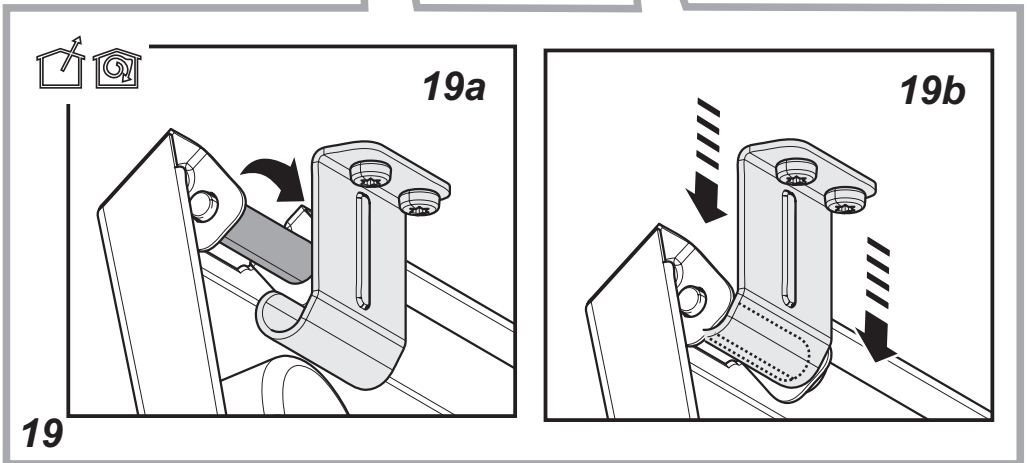
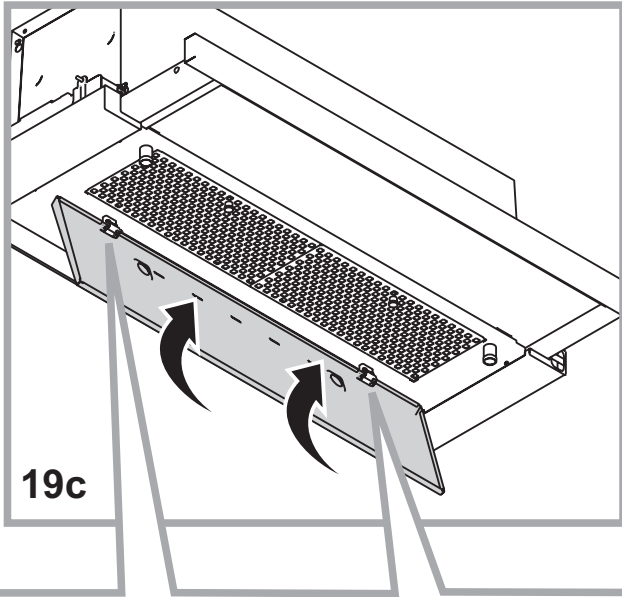
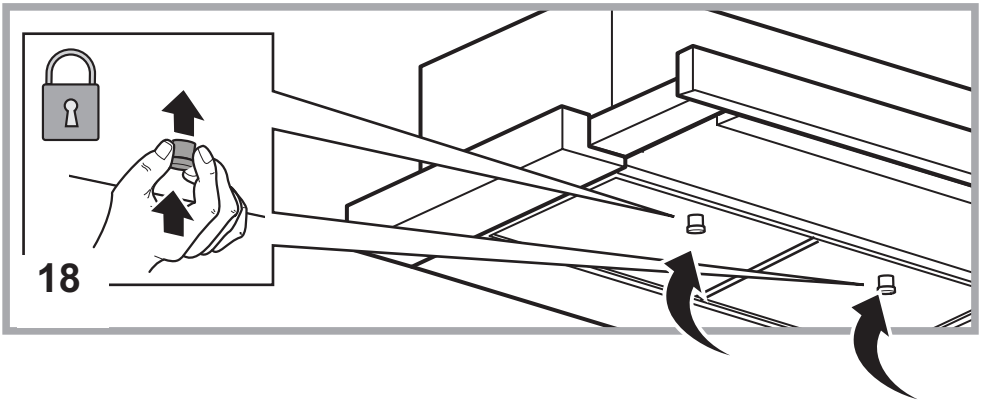


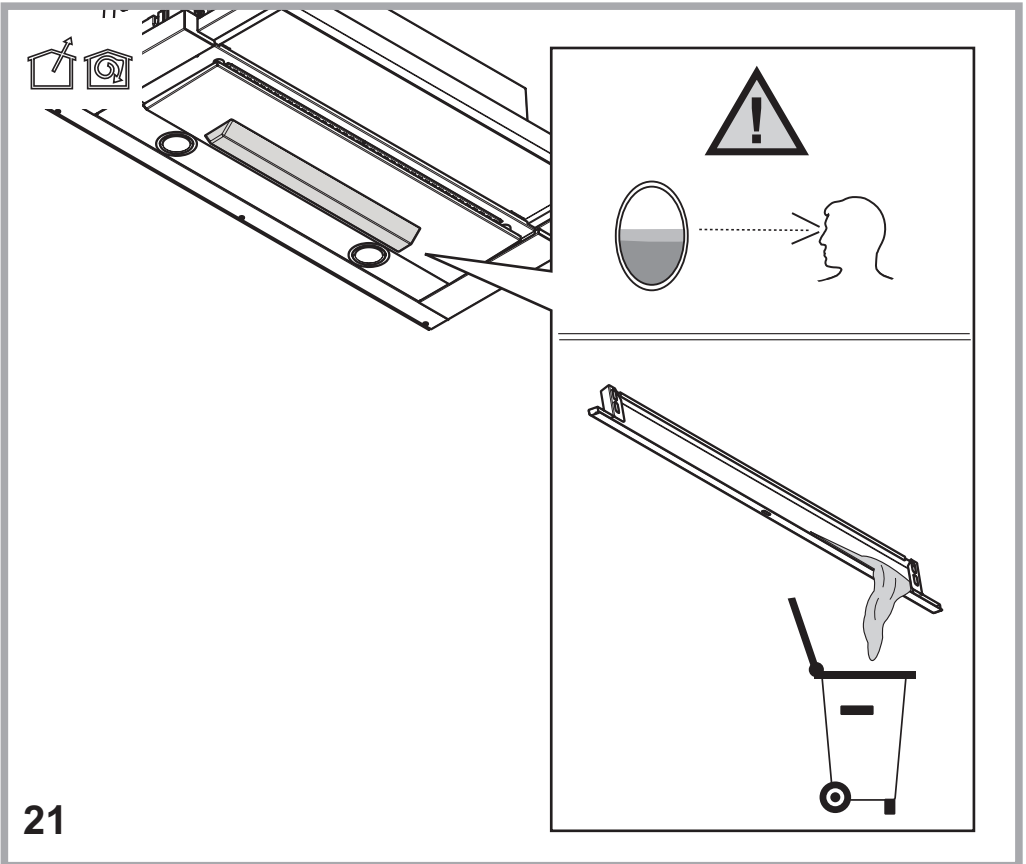
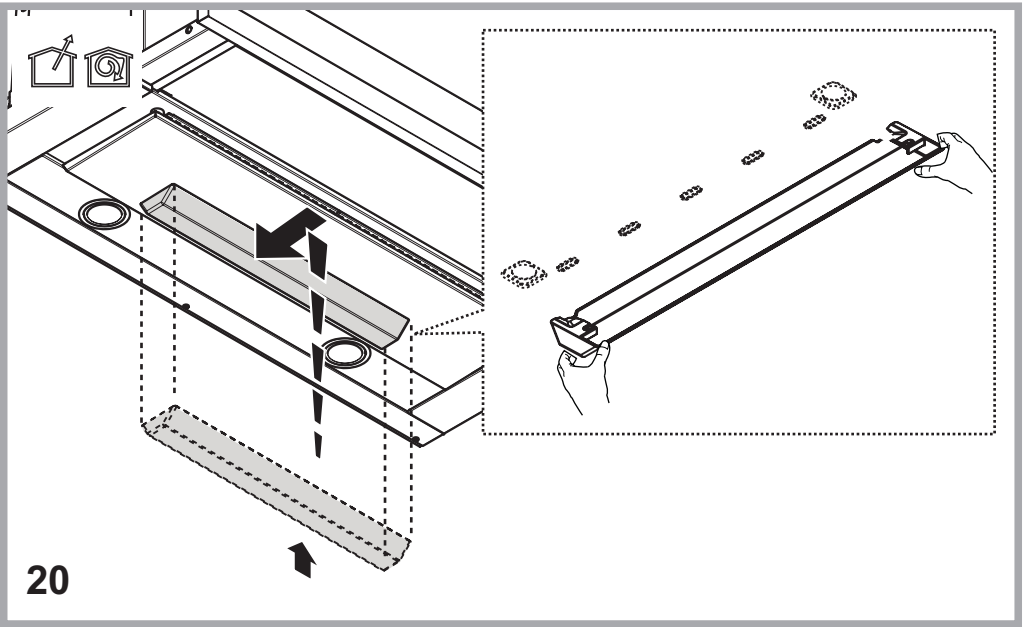
4x Ø 4,2x35











The hood can look different to that illustrated in the drawings in this booklet. The instructions for use, maintenance and installation, however, remain the same.

Closely follow the instructions set out in this manual. All responsibility, for any eventual inconveniences, damages or fires caused by not complying with the instructions in this manual, is declined. The hood is conceived for the suction of cooking fumes and steam and is destined only for domestic use.

! It is important to conserve this booklet for consultation at any moment. In the case of sale, cession or move, make sure it is together with the product.

! Read the instructions carefully; there is important information about installation, use and safety.

! Do not carry out electrical or mechanical variations on the product or on the discharge conduits.

! Before proceeding with the installation of the appliance verify that there are no damaged all components. Otherwise contact your dealer and do not proceed with the installation.

Note: the elements marked with the symbol “(*)” are optional accessories supplied only with some models or elements to purchase, not supplied.



Caution

Before any cleaning or maintenance operation, disconnect hood from the mains by removing the plug or disconnecting the mains electrical supply.

Always wear work gloves for all installation and maintenance operations.

This appliance can be used by children aged from 8 years and above and persons with reduced physical, sensory or mental capabilities or lack of experience and knowledge if they have been given supervision or instruction concerning use of the appliance in a safe way and understand the hazards involved.

Children shall not be allowed to tamper with the controls or play with the appliance.

Cleaning and user maintenance shall not be made by children without supervision.

The premises where the appliance is installed must be sufficiently ventilated, when the kitchen hood is used together with other gas combustion devices or other fuels.

The hood must be regularly cleaned on both the inside and outside (AT LEAST ONCE A MONTH).

This must be completed in accordance with the maintenance instructions provided in this manual. Failure to follow the instructions provided in this user guide regarding the cleaning of the hood and filters will lead to the risk of fires.

The flaming of foods beneath the hood itself is severely prohibited.

The use of exposed flames is detrimental to the filters and may cause a fire risk, and must therefore be avoided in all circumstances.

Any frying must be done with care in order to make sure that the oil does not overheat and ignite.

CAUTION: Accessible parts of the hood may become hot when used with cooking appliances.

For lamp replacement use only lamp type indicated in the Maintenance/Replacing lamps section of this manual.

WARNING! Do not connect the appliance to the mains until the installation is fully complete.

With regards to the technical and safety measures to be adopted for fume discharging it is important to closely follow the regulations provided by the local authorities.

The ducting system for this appliance must not be connected to any existing ventilation system which is being used for any other purpose such as discharging exhaust fumes from appliances burning gas or other fuels.

Do not use or leave the hood without the lamp correctly mounted due to the possible risk of electric shocks.

Never use the hood without effectively mounted grids.

The hood must NEVER be used as a support surface unless specifically indicated.


Use only the fixing screws supplied with the product for installation or, if not supplied, purchase the correct screws type. Use the correct length for the screws which are identified in the Installation Guide.

In case of doubt, consult an authorised service assistance centre or similar qualified person.

WARNING! Failure to install the screws or fixing device in accordance with these instructions may result in electrical hazards.

This appliance is marked according to the European directive 2012/19/EC on Waste Electrical and Electronic Equipment (WEEE). By ensuring this product is disposed of correctly, you will help prevent potential negative consequences for the environment and human health, which could otherwise be caused by inappropriate waste handling of this product.



The symbol  on the product, or on the documents accompanying the product, indicates that this appliance may not be treated as household waste. Instead it should be taken to the appropriate collection point for the recycling of electrical and electronic equipment. Disposal must be carried out in accordance with local environmental regulations for waste disposal.

For further detailed information regarding the process, collection and recycling of this product, please contact the appropriate department of your local authorities or the local department for household waste or the shop where you purchased this product.

Appliance designed, tested and manufactured according to:

- Safety: EN/IEC 60335-1; EN/IEC 60335-2-31, EN/IEC 62233.
- Performance: EN/IEC 61591; ISO 5167-1; ISO 5167-3; ISO 5168; EN/IEC 60704-1; EN/IEC 60704-2-13; EN/IEC 60704-3; ISO 3741; EN 50564; IEC 62301.
- EMC: EN 55014-1; CISPR 14-1; EN 55014-2; CISPR 14-2; EN/IEC 61000-3-2; EN/IEC 61000-3-3. Suggestions for a correct use in order to reduce the environmental impact: Switch ON the hood at minimum speed when you start cooking and kept it running for few minutes after cooking is finished. Increase the speed only in case of large amount of smoke and vapour and use boost speed(s) only in extreme situations. Replace the charcoal filter(s) when necessary to maintain a good odour reduction efficiency. Clean the grease filter(s) when necessary to maintain a good grease filter efficiency. Use the maximum diameter of the ducting system indicated in this manual to optimize efficiency and minimize noise.

Use

The hood is designed to be used either for exhausting or recycling version.



Ducting version

In this case the fumes are conveyed outside of the building by means of a special pipe connected with the connection ring located on top of the hood.

Attention! The exhausting pipe is not supplied and must be purchased apart.

Diameter of the exhausting pipe must be equal to that of the connection ring.

Attention!

Connect the hood and discharge holes on the walls with a diameter equivalent to the air outlet (connection flange).

- ! Use a duct of the minimum indispensable length.
- ! Use a duct with as few elbows as possible (maximum elbow angle: 90°).
- ! Avoid drastic changes in the duct cross-section.

Installation

The minimum distance between the supporting surface for the cooking equipment on the hob and the lowest part of the range hood must be not less than 50cm from electric cookers and 65cm from gas or mixed cookers.

If the instructions for installation for the gas hob specify a greater distance, this must be adhered to.



Electrical connection

The mains power supply must correspond to the rating indicated on the plate situated inside the hood. If provided with a plug connect the hood to a socket in compliance with current regulations and positioned in an accessible area, after installation. If it not fitted with a plug (direct mains connection) or if the plug is not located in an accessible area, after installation, apply a double pole switch in accordance with standards which assures the complete disconnection of the mains under conditions relating to over-current category III, in accordance with installation instructions.

Warning! Before re-connecting the hood circuit to the mains supply and checking the efficient function, always check that the mains cable is correctly assembled.

The hood is provided with a special power cable ; if the cable is damaged, request a new one from Technical Service.

Mounting

Before beginning installation:

- Check that the product purchased is of a suitable size for the chosen installation area.
- Check (for transport reasons) that there is no other supplied material inside the hood (e.g. packets with screws (*), guarantees (*), etc.), eventually removing them and keeping them.

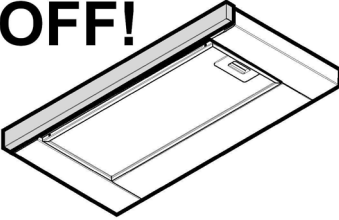
This hood is designed for fitting in a cabinet or on some other support.

Check that the cabinet is suitable to bear the weight of the hood.

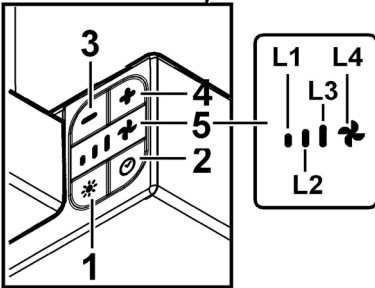
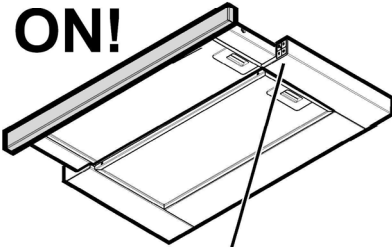
Operation

The hood is fitted with a control panel with aspiration speed selection control and a light switch to control cooking area lights.

OFF!



ON!



Control Panel

1. **Button ON/OFF light**
2. **Button ON/OFF Timer:** delayed switch-off of the selected suction speed (power):
Suction speed (power) 1: 20 minutes
Suction speed (power) 2: 15 minutes
Suction speed (power) 3: 10 minutes
Intensive suction speed (power): 5 minutes
3. **Button OFF / Decrease of suction speed (power)**
4. **Button ON / Increase of suction speed (power)**
5. **Display, showing:**
 - a. **Suction speed (power):** LEDs L1 – L2 – L3 - L4 (*flashing*) light up according to the selected suction speed (power).
Note: the L4 LED – intensive suction speed (power) works for about 5 minutes, then the hood sets the intermediate speed.
 - b. **Timer:** the LED of the selected speed flashes to indicate that the timer is active.
 - c. **Grease filter saturation:** the L3 and L4 LEDs flash **alternately** at short intervals of time.

Reset of the filter saturation indicator: perform filter maintenance, then press button 2 until the LEDs turn off.

Maintenance

Cleaning

Clean the cooker hood as many times as possible (especially, clean the filter once every month) as it will become very dirty. If the cooker hood is left unattended for a long time, much oil is accumulated and it will become difficult to remove the hardened grease.

Clean using **ONLY** the soft cloth dampened with neutral liquid detergent. **DO NOT CLEAN WITH TOOLS OR INSTRUMENTS.** Do not use abrasive products. **DO NOT USE ALCOHOL AND ORGANIC SOLVENT!**

Maintenance of the Hood

Cleaning:

When cleaning, use a neutral detergent and soft cloth.

After cleaning, wipe the hood well with a wet cloth dipped in water to remove any remaining detergent, and finally thoroughly wipe any moisture off using a dry cloth.

Maintenance of the Oil tray / Rectifier panel / Filter

Fig. 6-7-18-19-20-21

Dismantling:

Pull the parts out decisively and remove them from all the connecting points.

Cleaning:

When cleaning, use a neutral detergent and soft cloth.

Do not use an organic solvent. After cleaning, wash off with water to remove all remaining detergent, and finally thoroughly wipe any moisture off using a dry cloth.

Montage:

The parts should be fixed in the original position after cleaning.

Attention!

They may be a cause of dropping if not locked firmly.

Replacing lamps

The hood is equipped with a lighting system based on LED technology.

The LEDs guarantee an optimum lighting, a duration up to 10 times as long as the traditional lamps and allow to save 90% electrical energy.

For replacement, contact the technical service.

Rated Voltage (V)	Speed	Frequency (Hz)	Power Consumption (W)	Air Flow (m ³ /h)	Noise (dB)
220	Turbo	50	245	705	57
	Hi	50	215	555	52
	Med	50	185	395	44
	Low	50	150	275	37
230	Turbo	50	255	740	58
	Hi	50	230	590	53
	Med	50	200	415	46
	Low	50	165	290	38
240	Turbo	50	265	780	59
	Hi	50	240	625	55
	Med	50	210	445	48
	Low	50	175	305	39

* with 5 Watt for lamps

产品若与图示不同，请以实物为准。任何与安装、使用、保养说明不符的特点描述，也请以实物为准。

在使用本产品前，请仔细阅读本使用说明书。对于任何因安装或使用不当造成的人身或财产损失，制造商不承担任何责任。该产品设计仅限国内使用。

！请妥善保管好该使用说明书，以便今后查阅或转交给下一位产品使用者。

！为了确保您能正确、安全地使用本产品，请仔细阅读该产品说明书。

！请勿在本产品或排烟管上使用不匹配的电气或机械部件。

！进行设备的安装之前核实所有的组件未被损坏。否则

联系你们的经销商且不要进行安装。

注意：凡带“(*)”的元件为自选配件，部分产品自带。其他产品需另行购买。

警告

清洁或维修前，请拔下电源插头或与电源断开连接。

安装和维修时，请戴上防护手套，以防手指受伤。

在无人照顾的情况下，请勿让8岁以下儿童或身体虚弱、神志不清以及缺乏经验的人员使用吸油烟机。使用吸油烟机需了解安全使用方法及可能的危险。

本产品主要为成人设计，请勿让儿童随意触摸或玩耍。

在无人照顾的情况下，请勿让儿童进行清洁或维修。

当油烟机与其他燃气燃油设备一起使用时，房间必须通风良好。

油烟机应定期清洗，包括内、外表面（每月至少一次）。

维修活动应严格按照说明书规定的方法进行。如没有按说明书进行油烟机和过滤器的清洁，可能有起火危险。

请勿在油烟机底下直接烘烤食物。

禁止炉火直接烘烤过滤器，易引发火灾。

煎炸食物时要避免食用油过热或引燃。

注意：使用烹调设备时，靠近热源的烟机部件可能会变热。

更换照明灯时，只能使用说明书中照明灯维修/更换章节所规定的灯具类型。

警告！在安装活动结束前请勿将产品与电源连接。烟气排放的相关技术和安全活动，应严格按照地方当局要求进行。

禁止使本产品与其它燃气燃油器具共用一个烟道。

不要使用照明灯安装有误的油烟机，以免引发触电危险。

未有效安装灶具前，请勿使用本产品。

除特别说明外，请勿将本品作为支撑面使用。

请使用本产品配备的螺丝进行安装，如果没有配备，请购买正确类型的螺丝。

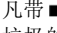
请按照安装指南中的说明，使用正确长度的螺丝。

如有疑问，请向授权的服务协助中心或专业人员咨询。

警告！请按照说明安装螺丝或固定装置，以免引发电气危险。

本产品符合电子电气产品的废弃指令（WEEE）的欧洲方针2002/96/EC中的相关规定。在处理废旧产品时，应本着对环境 and 人体健康无害的原则进行有效处理。



凡带标志的产品及相关文件，不可随意以生活垃圾的处理方式进行处理，而应依照电子电气产品的回收方式进行。所有废弃物必须按照当地的环境法规来进行处理。

其他事关产品正确处理或回收利用的问题，请咨询当地相关部门或销售网点。

电器设计，测试和制造按照：

- 安全：EN/IEC 60335-1；EN/IEC 60335-2-31，EN/IEC 62233指令。
- 性能：EN/IEC 61591；ISO 5167-1；ISO 5167-3；ISO 5168；EN/IEC 60704-1；EN/IEC 60704-2-13；EN/IEC 60704-3；ISO 3741；EN 50564；IEC 62301指令。
- 电磁兼容性：EN 55014-1；CISPR 14-1；EN 55014-2；CISPR 14-2；EN/IEC 61000-3-2；EN/IEC 61000-3-3指令。

为了减少对环境的影响正确使用建议：

当你开始烹饪将油烟机以最小速度打开ON，并且在烹饪结束后让它保持运行几分钟。有大量烟雾和蒸气的情况下加快速度和只有在极端情况下使用提升速度。当需要保持较好的气味减少效率时，请更换活性炭过滤器。当需要保持较好的油脂过滤效率时，请清洁油脂过滤器。使用本手册中所标明的使用管道系统的最大直径以便优化效率和尽量减少噪音。

使用说明

本吸油烟机是专为外排式或循环式。



外排式

在这种情况下，可以将这种特殊的管道与烟机顶部的连接环连接起来，以便将烟气排放到室外。

注意！排气管为选配件，需另行购买。

排气管的直径必须与连接环一致。

注意！

将烟机与墙上当量孔径为排气口（转接口）大小的排放口相连。

！ 所用管道长度不得小于规定长度。

！ 所用管道最好无弯头（最大折弯角度：90 度）。

！ 避免在管道横截面上做重大改变。

安装说明

电灶上烹调器具的支撑面到吸油烟机最低部位的最小距离应至少50厘米

与其他如燃气灶或混合气灶的最小距离应至少65厘米

如果厨房的煤气烹调平面已标明与其油烟机的距离，应以此距离为准。



电气连接

主电源应与烟机线路上额定值相符。如果烟机配有插头，则在安装完成后，按照现有的电流调节图将其与插座连接起来并将其固定在可触及的位置上。如果未配插头（直接连接到电源上）或者安装完成后未将其固定在可触及的位置上，则可按照安装要求使用符合标准要求的两极开关，以确保电流在超过 III 级时可与主电源完全断开。

警告！请在重新连接主电源和烟机电路前以及检查能否高效运作前，仔细检查电源线连接是否正确。本产品配有专门的电源线：若电源线损坏，为避免危险，必须联系维修机构的专业人员进行更换。

安装前须知

安装前须知

检查产品尺寸是否符合安装位置的要求。

检查烟机内部是否存有其他物件（出于对运输原因的考虑，如螺钉包(*)、保修卡(*)等等）。如有，请先将其拿出妥为保管。

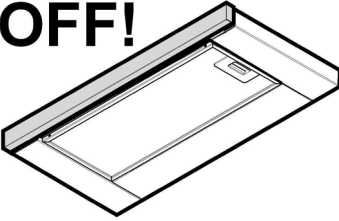
此罩必须嵌入一个吊柜或其他支持内。

确保吊柜能够支撑罩的重量。

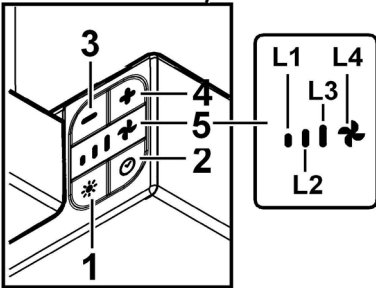
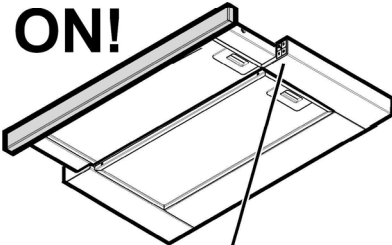
操作说明

油烟机设置带一个控制抽吸速度和控制用于烹饪灶台的照明灯点亮的控制面板。

OFF!



ON!



控制面板

1. 灯开/关键
2. 定时器开/关键： 选择的抽吸速度延时关闭（功率）：
抽吸（功率）速度 1：20 分钟
抽吸（功率）速度 2：15 分钟
抽吸（功率）速度 3：10分钟
强劲抽吸（功率）速度：5 分钟
3. 关/抽吸（功率）减速键：
4. 开/抽吸（功率）加速键：
5. 显示器，显示
 - a. 抽吸（功率）速度： 指示灯 L1 - L2 - L3 - L4（闪烁） 根据选择抽吸（功率）速度点亮。
备注：指示灯 L4 - 强劲抽吸（功率）速度运行约5分钟，在此之后，油烟机设置中间速度。
 - b. 定时器： 所选择速度的指示灯闪烁以表示定时器激活。
 - c. 防油脂过滤器饱和： 指示灯 L3 与 L4 交替地闪烁短的时间间隔。

过滤器饱和信号的重置： 执行过滤器的维护，在此之后按下 2键，直到指示灯熄灭。

保养说明

清洁说明

由于吸油烟机很容易脏污，因此应尽可能地经常清洁吸油烟机（尤其是多孔过滤网，应每月清洁一次）。如果吸油烟机长时间无人管理，则会积聚大量油污，并且很难去除硬结的油脂。清洗时，只使用沾有中性清洁剂的湿软布。请勿使用工具或器械用于清洗！避免使用磨蚀产品。禁止使用酒精和有机溶剂！

吸油烟机的表面的保养

清洗：

清洗时请使用中性洗涤剂 and 软布软刷，禁止使用有机溶剂。洗净后，请使用湿布仔细擦净以避免洗涤剂的残留，最后再用干布认真擦净水渍。

油杯/整流板/过滤网的保养

拆卸：

用力拉部件离所有连接点分开。

清洗：

清洗时请使用中性洗涤剂和软布软刷，禁止使用有机溶剂。洗净后，请用清水仔细洗好以避免洗涤剂的残留，最后再用干布认真擦净水渍。

安装：

清洗后部件必须安装在油烟机上的原来的位置。

注意！ 部件的锁定不足造成部件的脱落。

更换照明灯

此类烟机配备以 LED 技术为基础的照明系统。LED 能够确保最佳照明状态且持续工作时间为传统照明灯数倍，节约九成电能。

如需更换，请联系技术服务。

额定电压 (V)	档位	频率 (Hz)	消耗功率 (W)	风量 (m ³ /h)	噪声 (dB)
220	增压	50	245	705	57
	高速	50	215	555	52
	中速	50	185	395	44
	低速	50	150	275	37
230	增压	50	255	740	58
	高速	50	230	590	53
	中速	50	200	415	46
	低速	50	165	290	38
240	增压	50	265	780	59
	高速	50	240	625	55
	中速	50	210	445	48
	低速	50	175	305	39

* 消耗功率含照明灯5W

Global Website

www.ariafina-global.com

FUJIOH INTERNATIONAL TRADING PTE.LTD.

Southeast Asia Regional Headquarters 东南亚地区总部

130 Joo Seng Road #05-05 Singapore 368357

Tel : (65) 6286 3286 Fax : (65) 6285 3285

E-mail : fit@fujioh.com.sg